

CE Cabinet Coolers

Standard Features

- Australian designed
- Standards 6 F.P.I. – Medium Temperature range
- Cleanable plastic ABS housing

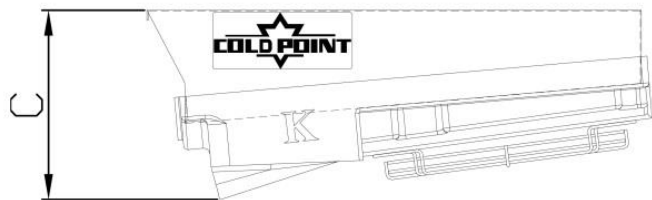
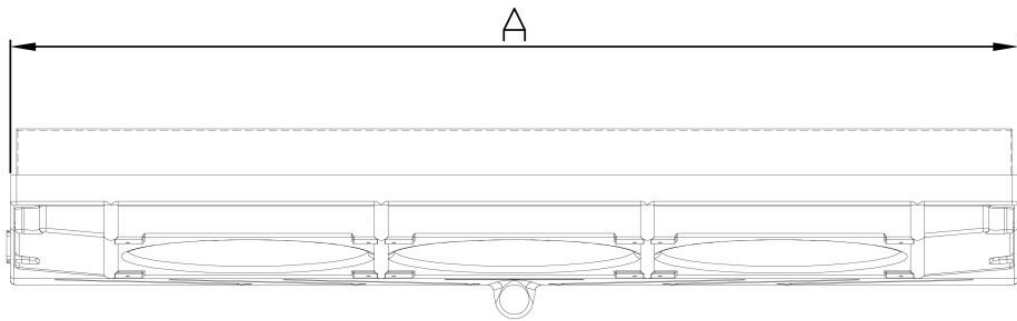
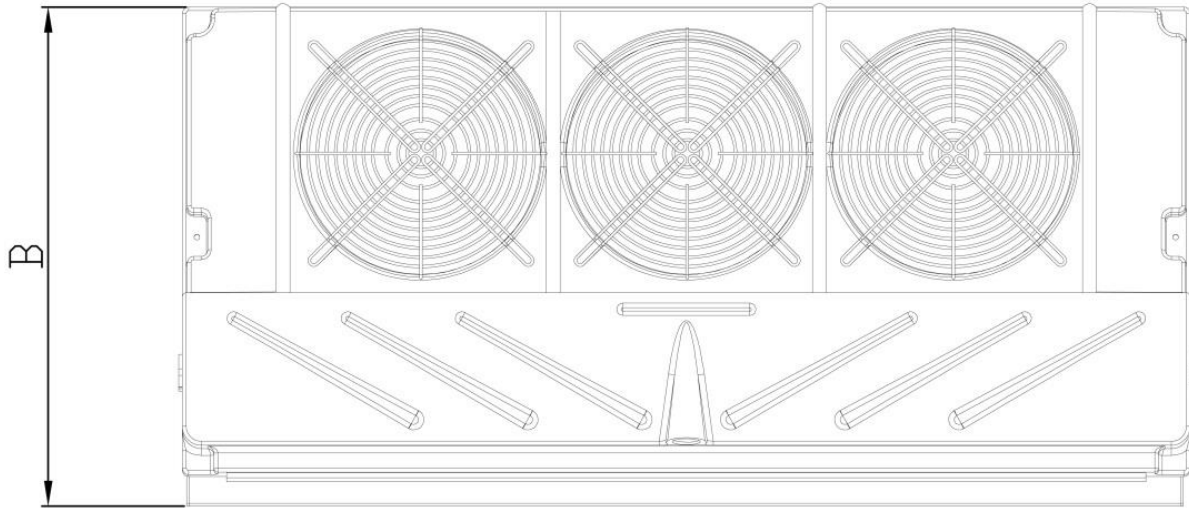


Coldpoint Cabinet Evaporators

Models CE-		311	450	666	830	1110	1300
Capacity at -4°C SST 6 Ktd Watts	R404a	311	450	666	828	1110	1300
	R134a	305	439	655	815	1075	1256
TX Valve Section	R404a	TS2	TS2	TS2	TS2	TS2	TS2
	R134a	TN2	TN2	TN2	TN2	TN2	TN2

Models CE		311	450	666	830	1110	1300
Air Flow	l/sec	54	43	58	62	93	99
Fan Motors	No	1	1	2	2	3	3
	Watts	36	36	72	72	108	216
	Amps	0	0	0	0	0	0
Coil Connections	Inlet	3/8"	3/8"	3/8"	3/8"	3/8"	3/8"
	Outlet	3/8"	3/8"	3/8"	3/8"	3/8"	3/8"
Overall Dim	Lth	415	415	595	595	795	795
	Dth	374	374	374	374	374	374
	Ht	149	149	150	150	150	150
Dry Weight	Kg	4	5	6	7	9	10

CE Cabinet Coolers



MODEL	A	B	C	FAN
CE 311	415	390	150	1xØ170
CE 450	415	390	150	1xØ170
CE 666	595	390	150	2xØ170
CE 830	595	390	150	2xØ170
CE 1100	795	390	150	3xØ170
CE 1300	795	390	150	3xØ170